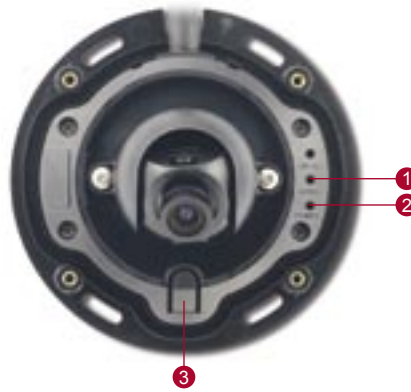


ACM-3601/ACM-3603



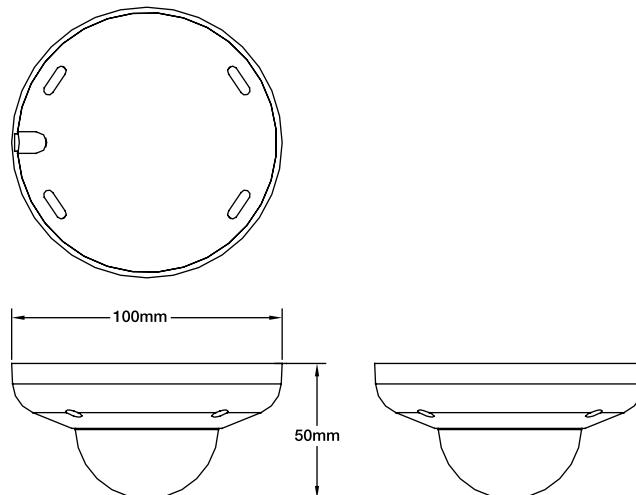
- 1/3" Micron Progressive Scan CMOS
- Integrated with f3.6mm / F1.8 fixed lens
- 0.5 Lux at F1.0
- Interchangeable Lenses Available
- Shutter Speed, White Balance, Exposure , Gain Controls supported
- Selectable MPEG-4 / MJPEG compression
- VGA resolution at 30 FPS
- Multi-stream with variable frame rate in the same compression
- Hardware motion detection
- Support Power over Ethernet (IEEE 802.3af) only
- Rugged RJ45 Ethernet connector (ACM-3601) / Rugged M12 Ethernet connector (ACM-3603)
- Weatherproof and vandal proof with IP66 protection



- 1 Ethernet Indicator LED
- 2 Power LED
- 3 Reset Button



DIMENSION DIAGRAM



Unit: mm [inch]

